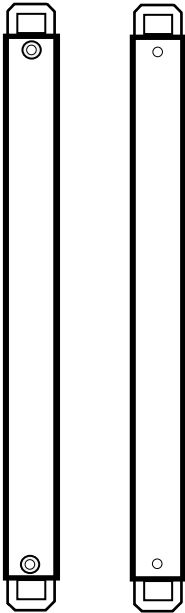


Stand off brackets - Part Code HI2ACBKT

Contents

- 2 qty Steel folded brackets, 628mm x 40mm
(50mm stand off distance from the wall)
- 4 qty Fixing screws steel /zinc UNI6954 - 4.8mm x 9.5mm



Description

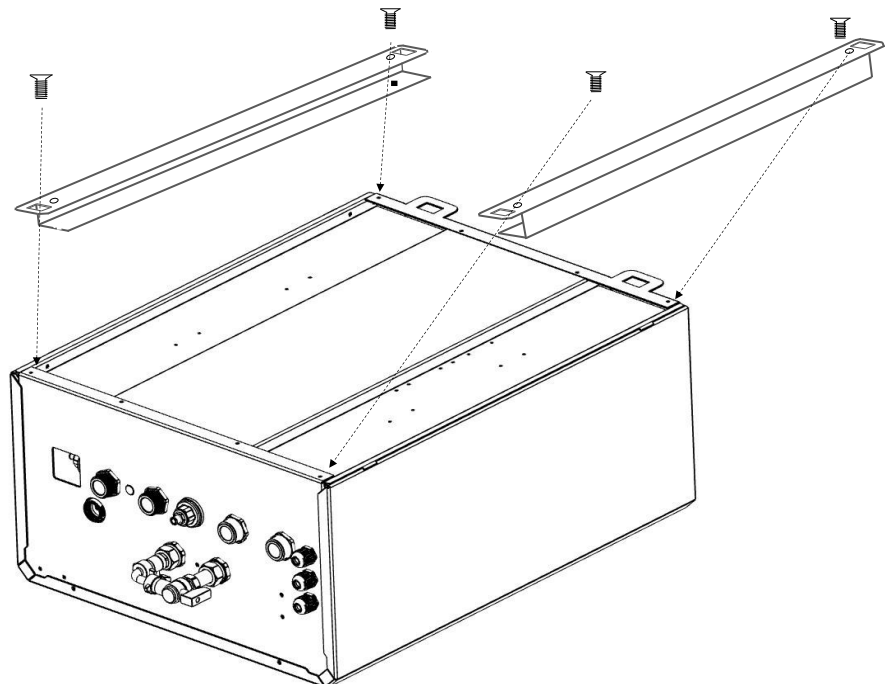
Stand off brackets create a space behind the HIU that can be used to run pipes behind the HIU

Fitting Instructions

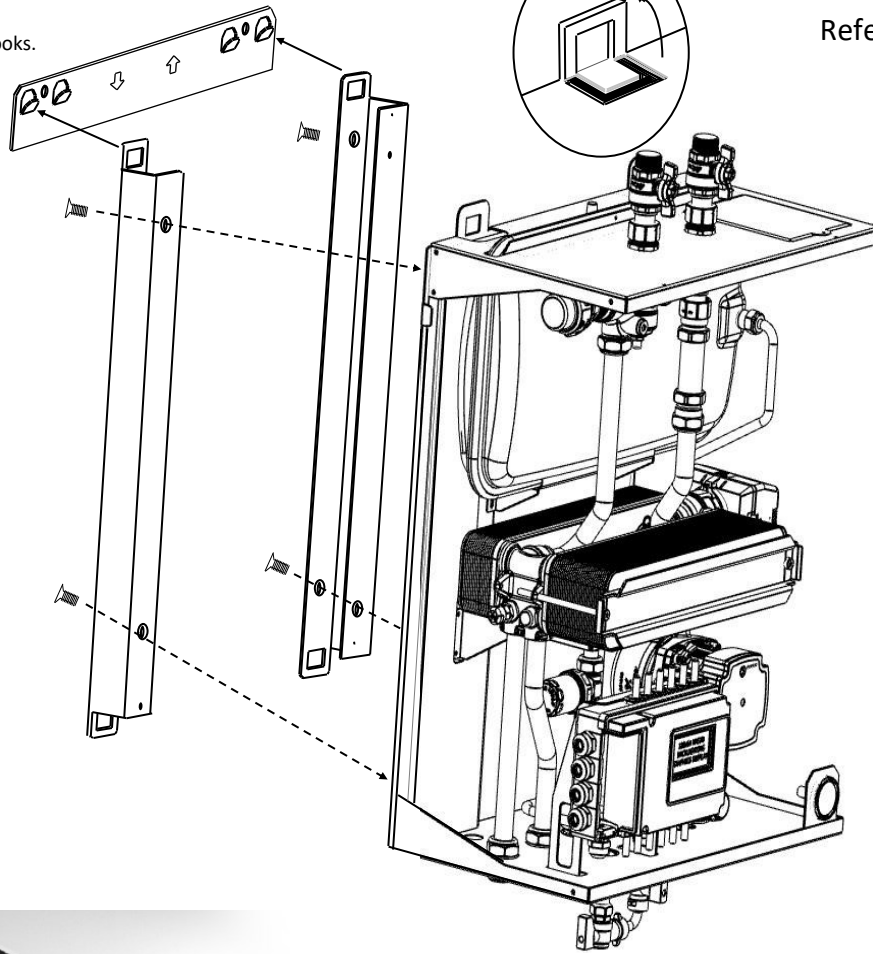
Fit the HIU wall brackets as per the HIU installation instructions 5.6 and 5.1

1. Remove the HIU from its packaging and while protecting the front of the HIU by placing it carefully on some protective surface to protect from damaging or scratching the casing turn the HIU on to its front. On the back of the HIU fixing points can be seen to line up with the stand off brackets.
2. First attach the brackets using 2 x fixing screws to the back of the HIU in the matching fixing holes provided.
3. Then hang the HIU as shown using the outer wall bracket hooks.

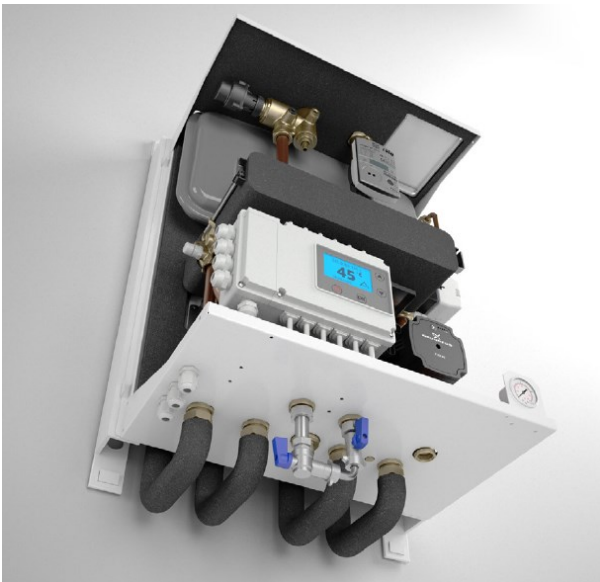
If the First Fix Jig is being used, instructions are the same as the above, but using the Jig in place of the HIU, and connect the pipe and isolation valves in the same way as instructed in the manual. Then undo the union nuts on the isolation, remove the Jig and move to the next installation.



Use outer bracket hooks.



Reference 3



Hiper II on stand off brackets with pipework connected



Fit the brackets to the HIU first, fixing points will be found on the back of the HIU that align with the fixing holes on the brackets.